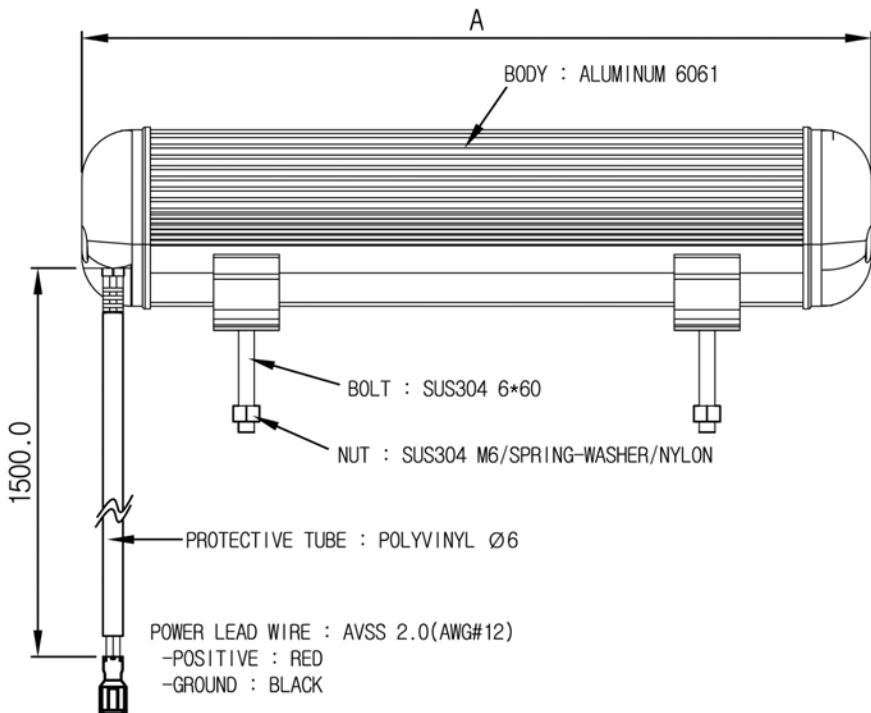


***SPECIFICATION**

1. OPERATING VOLTAGE (12V) : DC11.0V ~ 16.0V
(24V) : DC18.0V ~ 32.0V
2. LED : 3W(750mA)
3. REFLECTOR : PC / VACUUM METALLIZED
4. LENS : ACRYLIC
5. VIBRATION : 8.6G_{RMS}
6. WEATHER PROOF & DUST RESISTANCE
7. TEMPERATURE : -40°C ~ 105°C
8. LIFE : 500,000Hrs
9. IP RATING : IP67

HOUSING : MG610320 KET
 TERMINAL : ST730496-3 KET
 WIRE SEAL : MG680451 KET
 REAR HOLDER : MG630496-3 KET



LED QUANTITY	WATT(W)	A (inch/mm)	B (inch/mm)	C (inch/mm)	D (inch/mm)	BRACKET (PCS)	WEGHT (Kg)
8 LED	24	5.8(147.6)	2.7 (69.0)	3.0(76.25)	1.57(40)	2	0.95
12 LED	36	7.8(198.4)			2.32(59)		1.20
20 LED	60	11.8(300.0)			4.92(125)		1.65
32 LED	96	17.6(446.4)			5.47(139)	4	2.50
40 LED	120	21.7(550.0)			5.0(127)		3.00
60 LED	180	31.8(808.0)			8.35(212)		4.35
80 LED	240	41.8(1062.0)			11.65(296)		5.65

UNIT	mm	DRAWING	CHECK	APPROVAL
SCALE	2:1			
CREATED	2008.03.25			

SINGLE STACK XMITTER LED LIGHT BAR

[VX] Vision X

VX-TS-XMITTER